

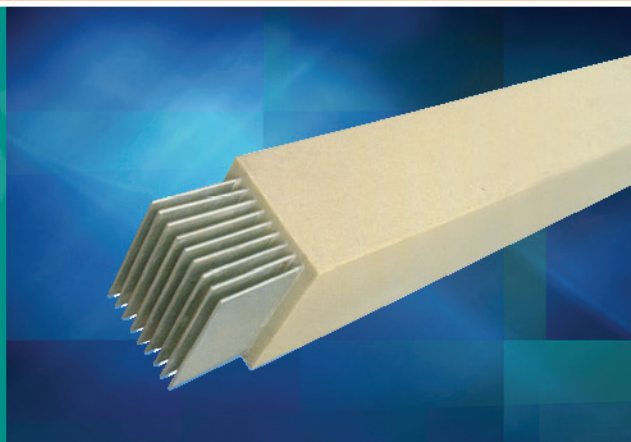
诚信卓越 士林伟业
GOOD FAITH & GREAT SHILIN



JDR

矿物质浇注母线槽

MINERAL POURING-BUSBAR



江苏士林杰帝母线有限公司
JIANGSU SHILIN JEDI BUSWAY SYSTEM CO., LTD.

JDR

源于点，而汇至无穷
An all-weather solution

全封闭浇注母线槽

Cast Insulated Busbar Trunking System

本样册内提供的图表数据仅供参考
均以实样为准
资料数据若有修改恕不另行通知

Jiangsu Shilin Jedi Busway System Co., Ltd. has a policy of continuous development,
and therefore reserves the right to supply products which may differ in detail from
those shown in this publication.

诚信为本

Honesty is the foundation



企业简介	01
Company Profile	
产品介绍	03
Product Introduction	
低压母线槽	07
Low voltage busbar duct	
产品比较	07
Product Comparison	
技术参数	08
Technical Data	
结构单元	09
Trunking Unit	
安装规范	12
Installation Criterion	
安装示例	13
Assembly Instructions	
高压母线槽	14
High voltage busbar duct	
产品比较	14
Product Comparison	
技术参数	15
Technical Data	
结构单元	16
Trunking Unit	
安装规范	18
Installation Criterion	
安装示例	19
Assembly Instructions	
应用实例	20
Application Example	
部分项目业绩	23
Project Performance	
注释	24
Definition	

公司简介

Company Profile

江苏士林杰帝母线有限公司成立于 2021 年 4 月 2 日，注册资金 10000 万元，公司由江苏士林电气设备有限公司和杰帝母线(上海)有限公司强强联手、共同投资，在位于扬中市扬中大道兴隆大桥南首，投资新建 6 万平方米专业生产浇注母线生产基地。

Jiangsu Shilin Jiedi Busbar system Co., Ltd. was established on April 2, 2021 with a registered capital of 100 million yuan. The company is jointly invested by Jiangsu Shilin Electrical Equipment Co., Ltd. and Jiedi bus (Shanghai) Co., Ltd. to invest in a new 60000 square meter production base specializing in the production of cast bus at the south head of Xinglong bridge, Yangzhong Avenue, Yangzhong City.

江苏士林电气设备有限公司注册资金 20018 万元，总资产 6 亿元，现有员工 1000 余人，其中高级工程师 20 人，工程师 42 人，其他各类专业技术人员 286 人，综合实力年产能 50 亿元，高低压配电柜、高压绝缘管母线、风电专用管母线、照明母线、密集型母线槽、IP68 防水、浇注、防腐母线槽、耐火电缆桥架、一次滚压成型环形筋节能高强电缆桥架、支架等系列产品。公司通过了 CCS 中国船级社质量管理体系认证、ISO9001 质量体系认证、ISO14001 环境管理体系认证和“CCC”产品强制认证。全部产品均通过了国家或行业最新标准检测，公司连续多年被评为“江苏省明星企业”“江苏省知名企业”、“质量信用 AAA 级”、“重合同、守信用企业”及省市“AAA”资信企业。拥有七十余项国家专利，多项产品获得省和国家的高新技术产品称号，浇注防水母线是国内生产规模最大，产品系列最齐全且专利技术在国内外处于领先地位的高新技术产品，在工控、供配电等领域享有较高的知名度和市场占有率。

Jiangsu Shilin Electrical Equipment Co., Ltd. has a registered capital of 200.18 million yuan and a total asset of 600 million yuan. It now has more than 1000 employees, including 20 senior engineers, 42 engineers and 286 other professional technicians. With comprehensive strength, the annual production capacity is 5 billion yuan. It has high and low voltage distribution cabinets, high voltage insulated tube buses, special tube buses for wind power, lighting buses, dense bus ducts, IP68 waterproof, pouring Anti corrosion bus duct, fire-resistant cable tray, one-time rolling forming ring reinforcement, energy-saving high-strength cable tray, support and other products. The company has passed CCS China Classification Society quality management system certification, ISO9001 quality system certification, ISO14001 environmental management system certification and "CCC" Product Compulsory Certification. All products have passed the latest national or industrial standard testing. The company has been rated as "star enterprise in Jiangsu Province", "well-known enterprise in Jiangsu Province", "AAA quality and credit", "contract abiding and trustworthy enterprise" and provincial and municipal "AAA" credit enterprise for many consecutive years. It has more than 70 national patents and many products have won the titles of provincial and national high-tech products. The cast waterproof bus is a high-tech product with the largest production scale in China, the most complete product series and the leading patented technology at home and abroad. It enjoys high popularity and market share in the fields of industrial control, power supply and distribution.

杰帝母线(上海)有限公司 2003 年初成立于中国上海，是一家外商投资企业，公司引进欧洲先进技术，专业从事新一代输配电干线产品——全封闭母线槽的研发、设计、制造、销售和服务，公司是国内最早专业化生产全封闭浇注母线槽的企业，公司产品通过了苏州电气科学研究院、上海电缆研究所、西安高压电器研究院等权威机构的型式试验，并取得了国家强制性产品认证证书。在国网渔子溪水电站、华电贵州普定水电站、浙能台州发电厂等都广泛使用，该产品以其稳定可靠的产品质量、优异的产品性能，专业的技术服务和极高的产品性价比优势，受到用户的广泛好评。

Jiedi bus (Shanghai) Co., Ltd., established in Shanghai, China in early 2003, is a foreign-invested enterprise. The company introduces European advanced technology and specializes in the R & D, design, manufacturing, sales and service of a new generation of transmission and distribution trunk line product - fully enclosed bus duct. The company is the first enterprise in China to professionally produce fully enclosed cast bus duct. The company's products have passed the type test of Suzhou Electric Science Research Institute, Shanghai Cable Research Institute, Xi'an High Voltage Apparatus Research Institute and other authoritative institutions, and obtained the national compulsory product certification certificate. It is widely used in State Grid Yuzixi hydropower station, Huadian Guizhou Puding hydropower station, zheneng Taizhou Power Plant, etc. the product is widely praised by users for its stable and reliable product quality, excellent product performance, professional technical service and high product cost performance.

公司产品——全封闭浇注母线，主要应用于环境恶劣，对工矿条件适应性要求极高的造船工程，对供电安全性较高的行业，近年来，在水力和火力发电行业的应用也逐渐扩展。两大公司的强强联手，必将使本浇注母线槽市场走向更广阔空间，公司坚持“技术创新、规范管理、持续改进、顾客满意”的质量方针，不断通过技术改进和管理优化，合理控制成本，使产品更具性价比和竞争力。

The company's product, fully enclosed cast bus, is mainly used in shipbuilding projects with harsh environment and high adaptability to industrial and mining conditions, and industries with high power supply safety. In recent years, its application has gradually expanded in water conservancy and thermal power generation industries. The combination of the two companies will certainly make the cast bus duct market move towards a broader space. The company adheres to the quality policy of "technical innovation, standardized management, continuous improvement and customer satisfaction", and continuously controls the cost reasonably through technical improvement and management optimization, so as to make the products more cost-effective and competitive.

公司热诚欢迎与各大设计院所、广大用户真诚合作！

The company sincerely welcomes sincere cooperation with major design institutes and users!

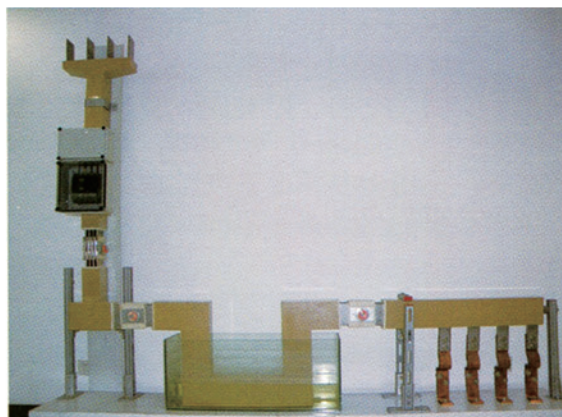
产品介绍

Product Introduction

JDR全封闭浇注母线槽系统是专为高低压装置的电力输送和配电而开发的新一代母线产品。其具有体积小、容量大、防护等级高、耐火、耐腐蚀、安全性强、免维护等优点。

结构

JDR全封闭浇注母线槽系统采用特殊配方制成的高性能绝缘材料JDR-M28对铜导体直接浇注密封。凝固后，除终端外母线槽整体完全封闭，可达到IP68最高防护等级。



绝缘材料

作为JDR全封闭浇注母线槽关键组件的高性能绝缘材料JDR-M28，采用特殊配方的复合树脂和定量特选的混合材料制成，常温下即可固化。

- ◆ 不含卤素，阻燃且不会释放有毒气体
- ◆ 无金属外壳，在有迷流的环境中工作，不会发生外壳电腐蚀现象
- ◆ 全天候产品，可长期在-40°C~+70°C的环境中工作，绝缘材料不会开裂
- ◆ 可在有爆炸危险、有腐蚀性液体的环境中长期工作
- ◆ 高温时仍能保持良好的绝缘性
- ◆ 高机械强度，能承受1.8kJ/m²/IK10机械冲击

导体

JDR全封闭浇注母线槽系统选用符合GB5585-2016标准的优质电解铜(ETP99.95%)，经过先进无氧设备加工而成的铜排为导体，导电率98%IACS以上，导体截面为矩形并带圆角。

AS s new generation of buabar, The JDR busbar trunking system is designed for high and low voltage power transmission devices and power distribution. It is famous for its small size, large capacity, high degree of protection, fire-resistance, chemical resistance, security, and maintenance-free.

Construction

The JDR busbar trunking system uses a special formula made of high-performance insulating materials JDR-M28 direct casting of copper. After solidification, in addition to the terminal, the busway was sealed completely, the highest degree of protection can be achieved IP68.

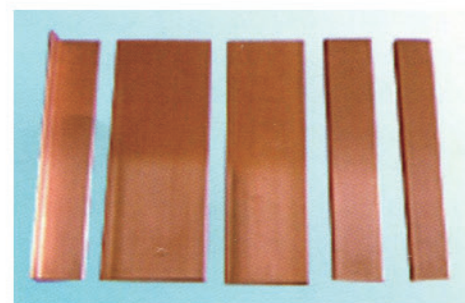
Insulation Material

As the key component of the JDR busbar trunking system, JDR-M28 is a high-performance insulating material that made of a special formula of composite resins and a mixture of quantitative material, it can be solidified at ordinary temperature.

- ◆ No halogen, unflammable and no toxic gas releases.
- ◆ Nonmetallic external, casing electro-erosion does not exist.
- ◆ All-weather products, can work in -40°C~+70°C for a long time, insulation material will not crack.
- ◆ Suitable in the environment that is explosive and corrosive.
- ◆ Maintain a good insulating feature in a high temperature.
- ◆ High mechanical strength can stand a mechanical shock up to 1.8kJ/m²/IK10.

Conductor

The JDR conductor bars have a rectangular section with rounded edges, made of electrolytic copper 99.95% processed through the anaerobic equipment in accordance with the national regulations GB5585-2016.



连接

两段母线间的机械及电气连接通过双面接触的连接单元来完成。采用先进的高强力矩螺栓，将母线连接紧固，并保证足够的接触面积和可靠的电气连接。当高强力矩螺栓的紧固力未达到设定力矩时，系统自动拒绝安装。

对连接完成的连接单元，用高性能的绝缘材料JDR-M28进行封闭浇注，使母线的连接部位达到防松和绝缘的双重目的。

JDR全封闭浇注母线槽系统(包括连接单元在内)能达到IP68的防护等级。



输出及分接

JDR全封闭浇注母线槽系统能在母线的任何位置实现电流输出，亦可预装分接盒，并根据客户要求安装开关、断路器等元件。分接盒的防护等级最高可达到IP67/68。

安装附件

根据不同的安装环境，可提供与JDR全封闭浇注母线槽系统相适应的安装附件，如安装支架、进线箱等。

结构单元

除标准结构单元外，我们还可以提供各种适应项目的各种特殊结构单元，以满足不同场合的需求。

Jointing

The electrical and mechanical jointing of the trunking elements is achieved by a special system. This unit supported by large pressure plates is held by tightening a double headed torque bolt which ensures a high standard of pressure along with a secure electrical contact. If the correct torque level on the UNIBLOC is not reached, then it will not be possible to encase the joint with the mould.

The mechanical connection, junctions and element extremities are over cast with the JDR-M28.

The JDR busbar trunking system guarantees a degree of protection of IP68 over the total lengths.

Power out and Tap-off

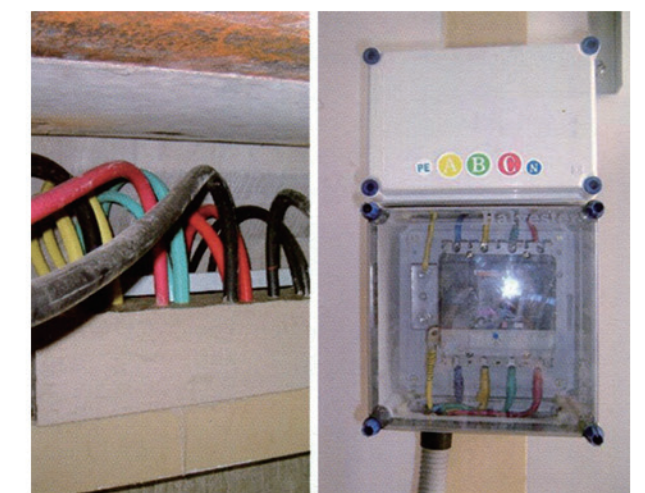
The JDR busbar trunking system can achieve current output in any position of the bus, can be pre-installed tap box, and according to customer requirements to install switches, circuit breakers and other components. The protection degree reaches IP67/IP68.

Suspension Brackets

Depending on the installation environment, we will provide accessories which suited to JDR cast resin busbar system, such as suspension brackets, busbar trunk.

Trunking Units

In addition to standard trucking units, we would also provide a variety of tailor-made elements to fulfill specific project requirements.



产品介绍

Product Introduction

耐火性能

采用无毒、阻燃的绝缘材料，确保安全。

符合中华人民共和国公共安全行业GAT537-2005《母线干线系统(母线槽)阻燃、防火、耐火性能的试验方法标准》，950°C火焰中能维持线路完整性90分钟以上，并能经受消防龙头喷水，确保母线槽不短路。

耐腐蚀性能

无金属外壳，抗多种化学品腐蚀，可在户内、外最高污染等级4的环境中长期使用。

耐水性能

外壳防护等级IP68，可长期在水中工作；可在电缆沟内直接敷设(不增加其他任何防护装置的情况下)，甚至可以埋地敷设。具有良好的气密性和水密性。

机械性能

能承受1.8k/m²的机械冲击，在-40°C~+70°C的环境温度下能长期使用而不开裂。

安全性能

不存在空气间隙，无烟囱效应；导体毛刺不会引起短路，短路容量大。

Fire Resistance

The JDR insulation material is inflammable and emits no toxic gas to ensure safety.

The whole JDR busbar trunking system remains integrated for 90minutes or above under the fire-resistance test in accordance with the national regulation GA/T537-2005 about "Flame retardant, fire-proof, fire resistance specifications of testing method of busbar trunking system".

The JDR busbar trunking system ensure on short circuit when being water-sprayed in case of fire.

Chemical Resistance

The JDR busbar trunking system without any metal external casing is resistant to various chemical erosions, suitable for long-term application in aggressive atom spheres(Pollution Degree up to 4).

Watertight

The JDR busbar trunking system is suitable for long-term application in the water or cable tunnel or even to be laid under-ground, benefited from the external casing protection rating of IP68. Good air tight and watertight.

Mechanical Strength

The JDR busbar trunking system can stand mechanical shock up to 1.8kJ/m² and does not crack for long term application at the temperature from-40°C to+ 70°C.

Safety

No air gap inside the JDR busbar trunking system to ensure non chimney -effect. Any burr of the conductor will not cause short circuit. High short circuit withstand and high over loading performance.



其它优势

- ◆ 体积小，容量大
- ◆ 耐压高，压降小
- ◆ 损耗低，过载能力强
- ◆ 防虫咬，抗震性强
- ◆ 结构多样，适用灵活
- ◆ 安装方便，简洁美观
- ◆ 免维护，运营成本低
- ◆ 防爆，低电磁干扰
- ◆ 可在全天候环境中使用

适用场合

- ◆ 不能停电的重要工程，如银行信息中心、移动通信大楼、钢铁厂等；
- ◆ 涉及生命安全的公共设施工程，如地铁、医院、机场等；
- ◆ 救火困难、有防火要求的场所，如高层建筑、应急发电系统等；
- ◆ 对输配电可靠性要求较高的海洋工程设施，如大型船舶、远洋邮轮、钻井平台、浮动船坞等；
- ◆ 存在爆炸危险、高污染、有腐蚀性液体等工矿条件较恶劣的场所，如化工厂、核电厂、水电火电厂等；
- ◆ 盐污地区、湿度较高或存在被水淹没可能的场所，如户外、地沟、廊道等。

Other Superiority

- ◆ Small dimensions and High capacity
- ◆ High break voltage and low voltage drop
- ◆ Power consumption and High over loading performance
- ◆ Against insect bites and strong shake resistant
- ◆ Various structure and Flexible application
- ◆ Easy Installation and Simple and beautiful
- ◆ Maintenance free and Low operating costs
- ◆ Explosion Proof, Low EMF and anti-interference
- ◆ All-weather working environment

Application Places

- ◆ Important projects where uninterrupted power supply is necessary. E.g. Information Centre of Bank, Mobile Communication Building, Iron and Steel Plant, etc.
- ◆ Public facilities where life and property safety is crucial. E.g. Subway, Hospital, Airport, etc. Building where fire-fighting is difficult or fire-resistant is required. E.g. High-rise.
- ◆ Buildings, Emergency Generation System, etc.
- ◆ Oceaneering facilities where high quality required of power transmission and distribution E.g. Huge Vessel, Ocean Tanker, Drilling Platform, Floating Dock, etc.
- ◆ Inclement surroundings where explosive risks or erosions exist. E. g. chemical plant, Nuclear power plant, Heat-engine plant, Hydraulic power plant, etc.
- ◆ Humid environment where submerged risks exist. E.g. Outdoor, Cable Runnel, Gallery, etc.



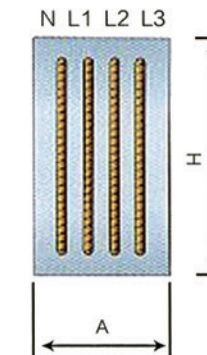
产品比较
Product Comparison

JDR与其它种类低压母线槽之间的性能对比
Performance comparison between JDR and other type of Low-Voltage Busbar

技术性能 Performance		产品种类 Product Type	空气型母线槽 Air-insulated Busbar	密集型母线槽 Compact Busbar	外壳加强型母线槽 External Casing Strengthened Busbar	JDR
技术参数 Technical Parameters	额定电流 Rated Current		400A~3150A	250A~5000A	250A~6300A	630A~7500A
	耐压 Break Voltage		2500V	3750V	3750V	5000V
	短路容量 Capacity of Short Circuit		低 Low	较高 Higher	一般 Common	最高 Highest
安全性能 Safety Performance	防护等级 Protection Degree		IP30~40	IP40~55	IP40	IP68
	耐火性 Fire Resistance		差 Bad	差 Bad	差 Bad	好 Good
	耐腐蚀性 Chemical Resistance		差 Bad	差 Bad	差 Bad	好 Good
	防短路 Short-circuit withstand		好 Good	差 Bad	一般 Common	极好 Excellent
	过载能力 Over Loading Performance		差 Bad	一般 Common	差 Bad	极好 Excellent
	烟囱效应 Chimney Effect		有 Exist	一般 Common	有 Exist	无 None
	散热 Heat Dissipation		差 Bad	好 Good	一般 Common	好 Good
安装施工 Installation	外形尺寸 Dimension		大 Big	小 Small	大 Big	小 Small
	工作环境 Working Environment		室内、干燥 Indoor and dry	室内、干燥 Indoor and dry	室内、干燥 Indoor and dry	全天候 All-weather
维护保养 Maintaining	维护工作 Maintenance Work		须定期检查,并紧固螺栓,防止松脱 Periodic Inspection and Tightening Boit	须定期检查,并紧固螺栓,防止松脱 Periodic Inspection and Tightening Boit	须定期检查,并紧固螺栓,防止松脱 Periodic Inspection and Tightening Boit	免维护 Maintenance Free
	维护成本 Maintaining Costs		高 High	高 High	高 High	极低 Very Low

技术参数
Technical Date

3相4线制
3 phases 4 conductors
3P/100%N



型号	H mm	A mm	In A	S mm ²	I _{cw} kA	U _e V	U _i V	R _t 10 ⁻⁶ Ω/m	X 10 ⁻⁶ Ω/m	重量 kg/m	IP
JDR-630C	70	100	630	200	65	1000	1500	83.5	77.3	16.9	68
JDR-800C	80	100	800	250	65	1000	1500	68.3	63.2	19.9	68
JDR-1000C	85	100	1000	330	65	1000	1500	53	52.7	23.0	68
JDR-1250C	100	100	1250	420	65	1000	1500	41.7	43.7	27.9	68
JDR-1600C	120	100	1600	540	65	1000	1500	32.4	34.7	34.6	68
JDR-2000C	145	100	2000	690	65	1000	1500	25.3	26.5	42.9	68
JDR-2500C	170	100	2500	840	88	1000	1500	20.8	20.3	51.1	68
JDR-3200C	220	100	3200	1140	88	1000	1500	15.3	16.4	67.7	68
JDR-4000C	260	100	4000	1380	100	1000	1500	12.6	13.2	81.0	68
JDR-5000C	320	100	5000	1740	100	1000	1500	10	9.6	100.8	68
JDR-6300C	430	100	6300	2280	100	1000	1500	7.85	8.09	113.7	68

注：

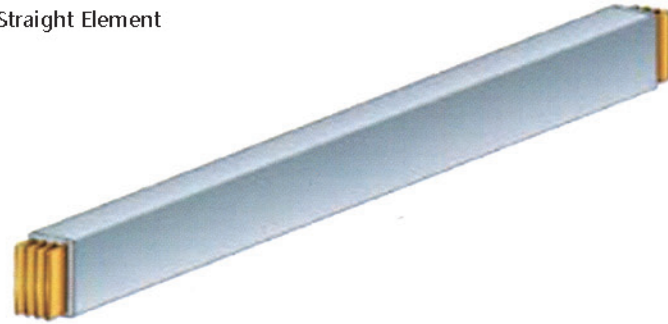
- 1、根据客户不同需求,我们可以提供截面为50%、100%或150%PE/N的三相五线制母线,并可用于直流和励磁系统中。
- 2、部分数据可能会有所调整,具体以实际为准。

Note :

1. We can produce according to special specifications upon request, such as 50%, 100% or 150% PE/N, for DC application and etc.
2. Some data may be adjusted.

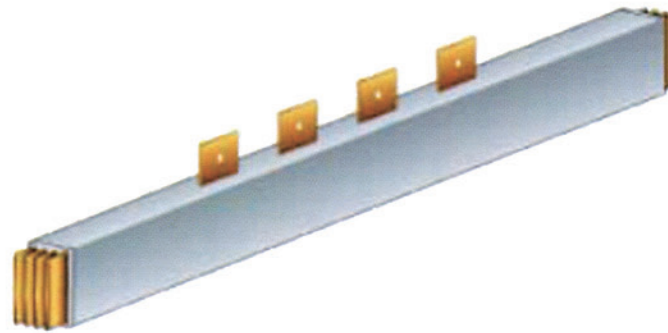
结构单元
Trunking Units

直线段
Straight Element



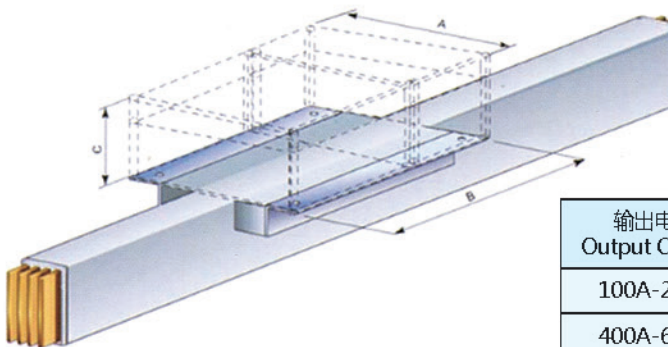
额定电流 Rating Current	标准规格 Standard Dimensions(mm)
100A-500A	L=1000 L=2000 L=3000
6300A-7500A	L=1000 L=2000

带输出头直线段
Straight Element incl. Power Out



额定电流 Rating Current	标准规格 Standard Dimensions(mm)
100A-500A	L=1000 L=2000 L=3000
6300A-7500A	L=1000 L=2000

带分接盒直线段
Straight Element with Tap-off Box

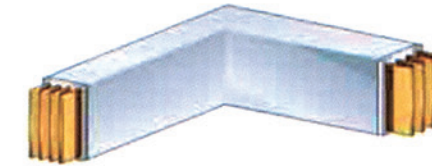


输出电流 Output Current	防护等级 Protection Degree	A mm	B mm	C mm
100A-250A	IP54/68	225/270	600/854	200/171
400A-630A		350/270	700/720	250/233.5
800A-1250A		380/360	850/810	250/233.5

注：根据分接盒材质、开关品牌等的不同情况，分接盒尺寸会有所调整。

Note: The size of tap-off box will be adjusted according to the material of tap-off box and switch brand.

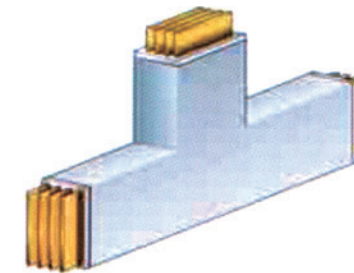
水平直角弯
Dihedral Elbow



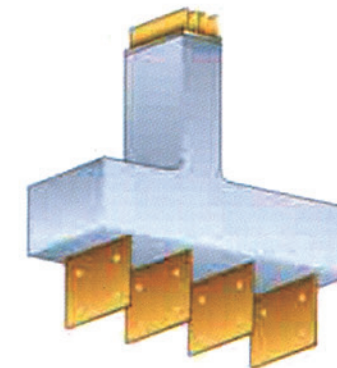
垂直直角弯
Flat Elbow



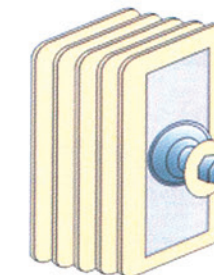
垂直T型弯
Flat T-element



终端单元
Terminal Element



连接单元
Unibloc

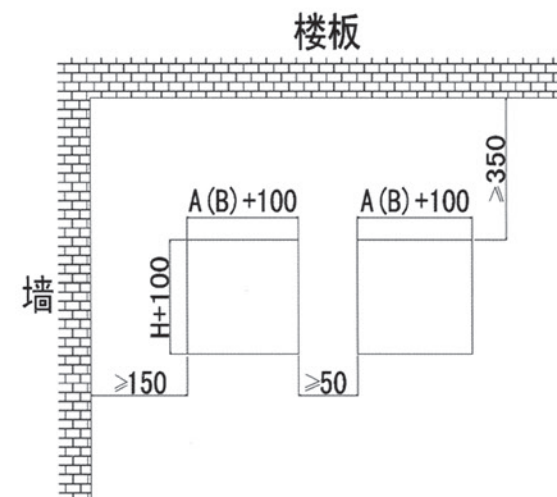
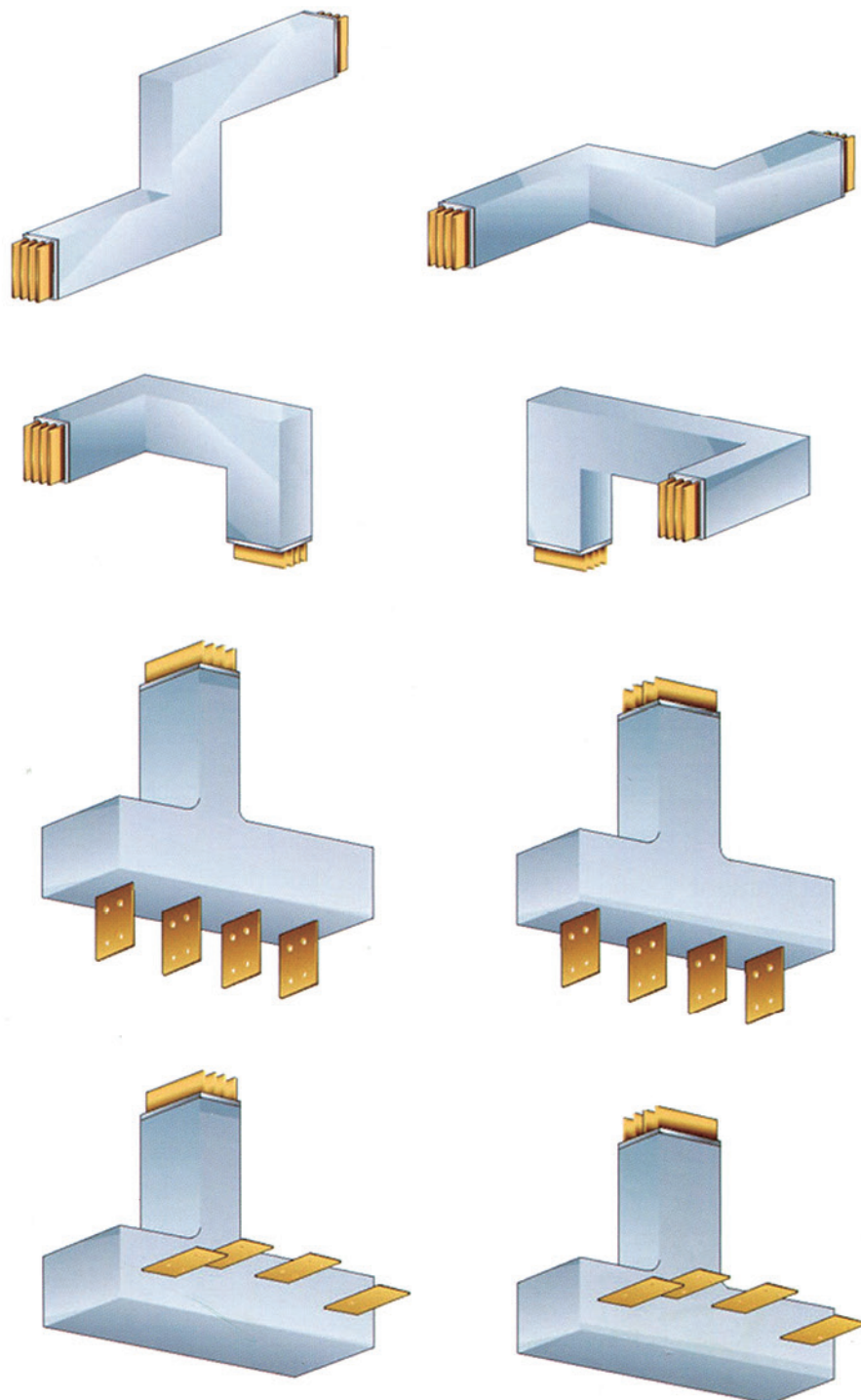


特殊结构单元

Tailor-made Trunking Units

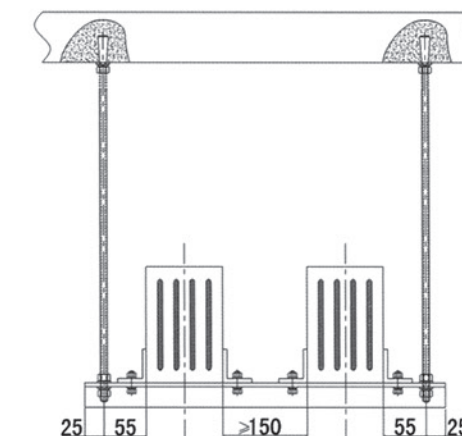
根据客户的要求，我们能提供各种适应项目的特殊结构单元。

We could supply various tailor-made elements to fulfill specific project requirements.



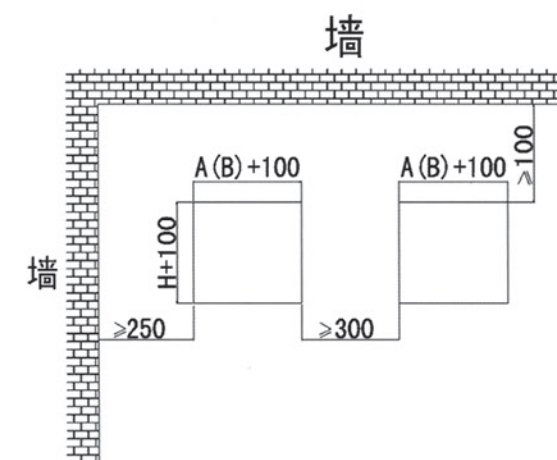
水平安装穿墙预留孔尺寸

Dimensions of wall bushings for horizontal installation



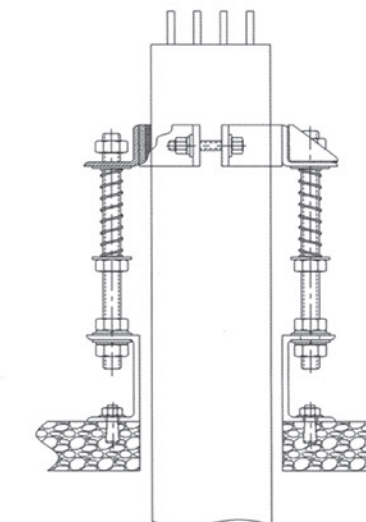
双列水平吊架安装图

Installation diagram of double horizontal ceiling fixings



垂直安装楼板预留孔尺寸

Dimensions of floor bushings for vertical installation



垂直弹簧支撑器安装图

Installation diagram of spring hanger for vertical elements

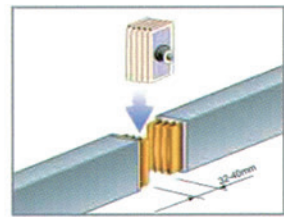
说明：

- 1、水平安装时，每段母线需安装两组支(吊)架，且两组支(吊)架之间的距离不大于2000mm，特殊情况除外，但至少保证每段母线有一组支(吊)架；
- 2、垂直安装时，支吊架的间距不大于3000mm，当垂直直线高度超过10m时，应设置弹簧支撑器，特殊情况除外；

Instructions:

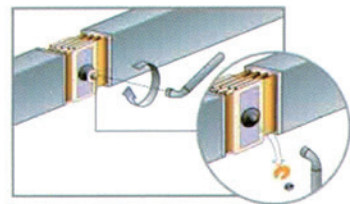
- 1、Each busbar has two brackets (hangers) installed in while horizontal installation, and the distance between two brackets (hangers) is not more than 2000mm. Except special conditions, but one set of bracket (hanger) must be installed in each busbar at least;
- 2、While vertical installation, the distance between two brackets (hangers) is not more than 3000mm. And Except special conditions, shall install the diagram spring hanger when the vertical distance over 10m.

安装示例
Assembly Instructions



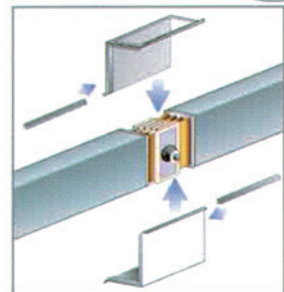
检查并清理待连接的母线槽和连接单元的导体表面，将待连接母线调整至水平对齐，母线导体的间距控制在32~40mm之间，插入连接单元。

Check and clean up the connecting busbar and the conductor surface of the UNIBLOC. Adjust the connecting busbars to the horizontal line.



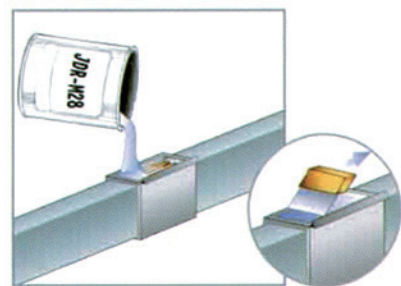
安装好连接单元并旋紧连接单元螺栓直至力矩螺母头自动脱落。使用力矩扳手验证螺母力矩值在预设值之间。

Tighten the UNIBLOC bolt unit until the shear of the outer head. Verified the nut torque between the default value using a torque wrench.



将浇注模具安装在母线连接或须浇注的位置，并检查模具拼合处是否有缝隙，如有应尽可能使其密闭。

Install the casting mold in the busbar connection or pouring position, and check whether there are gaps at the splice, if possible, seal it up.



将混合好的高性能绝缘材料JDR-M28，均匀注入浇注模具内。待绝缘材料完全固化后，拆除模具，表面稍作平整处理即可。

Pour the mixed high insulation material JDR-M28 immediately into the casting mould. Remove the mould after the materials has completely cured, then flat it.

注：

- 1、母线槽连接后浇注前，应进行绝缘电阻检测，通常情况下单段母线的绝缘值应大于1000兆欧。
- 2、非立即浇注的，必须对浇注部位用保护膜进行包裹，不允许有灰尘或杂物进入，浇注前应仔细检查并清理干净。
- 3、现场浇注时，环境条件须满足：温度5℃以上，湿度85%以下。若无法达到此环境条件的，须请业主方配合改善，否则将可能影响整条母线的性能质量。

Tips:

- 1、The insulation resistance testing should be carried out before casting and after connecting, usually the insulation value of one set busbar should be more than 1000 MΩ.
- 2、Non-immediate casting, casting parts must be coated with a protective film, does not allow dust or debris to enter. Should be carefully examined before pouring and clean up.
- 3、Casting site, the environmental conditions to be met: the temperature above 5°C, humidity below 85%. If you can not achieve this environmental conditions, shall ask the owner with the improvement, otherwise it will affect the quality of the performance of the whole busbar.

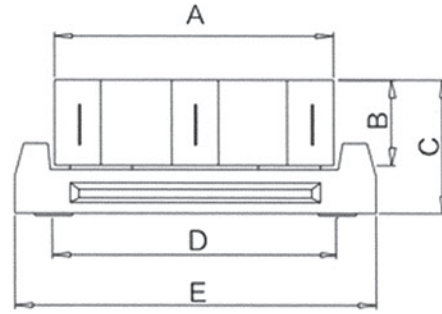
产品比较
Product Comparison

JDR与其它种类高压母线槽之间的性能对比。

Performance comparison between JDR and other type of High-Voltage Busbar

技术性能 Performance		产品种类 Product Type			
		电缆母线槽 Cable Busbar	共箱封闭母线槽 No segregated Busbar	JDR	
技术参数 Technical Parameters	额定电压 Rated Voltage	3.6kV~24kV	1kV~36kV	3.6kV~24kV	
	额定电流 Rated Current	120A~500A 单根One Line	400A~6300A	500A~6300A	
	额定电流 Rated Current	低 Low	低 Low	高 High	
安全性能 Safety Performance	防护等级 Protection Degree	IP20~30	IP40~55	IP68	
	耐火性 Fire Resistance	须作特殊防护处理 Need special	差 Bad	好 Good	
	耐腐蚀性 Chemical Resistance	易被盐、酸类物质和化学气体腐蚀，易被鼠虫咬 Susceptible to salt, acids and chemical gas corrosion, likely to be rat prevent from rat/insect bites	金属外壳及连接器易受腐蚀 Susceptible to corrosion of metal and connector	树脂封闭绝缘，耐腐蚀、抗鼠虫咬 Insulated by resin, Corrosion resistance, and prevent from rat/insect bites	
	烟囱效应 Chimney Effect	有 Exist	有 Exist	无 None	
安装施工 Installation	外形尺寸 Dimension	大 Big	很大 Bigger	小 Small	
	难装程度 Difficulty Level	大容量时体积大，架设困难，分支无法直接引出 Hard to assembly, couldn't tap-off directly	体积大，重量重，架设困难 Big dimension and weight, hard to assembly	体积小，重量轻，架设方便，分支可直接引出 Easy to assembly, can tap-off directly	
	工作环境 Working Environment	潮湿和温差大的场所不适用 Not applicable for wet and great difference in temperature place	潮湿和温差大的场所不适用 Not applicable for wet and great difference in temperature place	全天候 All-weather	
维护保养 Maintaining	维护工作 Maintenance Work	须定期检查、维护、清理 Periodic Inspection, maintaining and cleaning	须定期检查，并断电开盖清理灰尘 Periodic inspection and cleaning off lid with outage	免维护 Maintenance Free	
	维护成本 Maintaining Costs	高，需要备品备件 High, need spare parts	高，需要备品备件 High, need spare parts	极低 Very Low	

技术参数
Technical Date



JDR-HM型

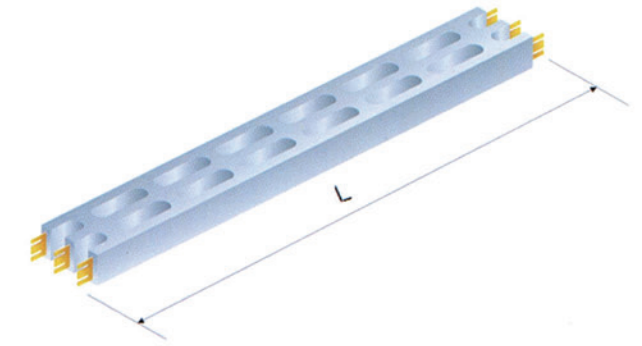
型号	A mm	B mm	C mm	D mm	E mm	In A	S mm ²	Icw kA	Ue V	Rt 10 ⁻⁶ Ω/m (20°C)	X 10 ⁻⁶ Ω/m	Weight kg/m	IP
JDR-HW630C	325	100	175	340	415	630	150	70	17.5	117	147.2	38.5	68
JDR-HW800C	325	100	175	340	415	800	200	70	17.5	88	145.4	39.5	68
JDR-HW1000C	325	100	175	340	415	1000	300	70	17.5	58	142	41.6	68
JDR-HW1250C	325	110	185	340	415	1250	360	70	17.5	46.5	138.4	46.5	68
JDR-HW1600C	325	130	205	340	415	1600	480	70	17.5	36	136.8	55.8	68
JDR-HW2000C	325	130	205	340	415	2000	640	70	17.5	28.1	123.5	59.1	68
JDR-HW2500C	325	150	225	340	415	2500	1000	100	17.5	18	121.7	73.7	68
JDR-HW3200C	325	200	275	340	415	3200	1200	100	17.5	14.1	63.9	100.4	68
JDR-HW4000C	325	250	325	340	415	4000	1600	100	17.5	11	61.7	121.5	68
JDR-HW5000C	325	250	325	340	415	5000	2400	100	17.5	6.8	59.5	149.6	68
JDR-HW6300C	325	290	365	340	415	6300	3600	100	17.5	4.6	53.9	183.4	68

注：部分数据可能会有所调整，具体以实际为准。根据项目不同需要，可额外增设防护罩。
Note: Some data may be adjusted and according to different needs we can protective covers.

结构单元
Trunking Units

直线段
Straight Element

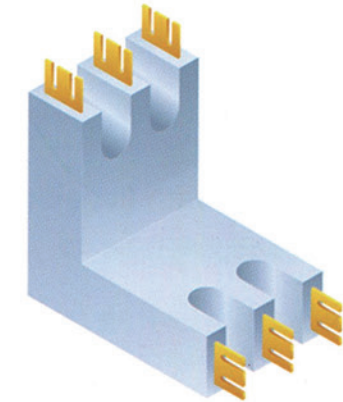
额定电流 Rating Current	标准规格 Standard Dimensions(mm)
500A-4000A	L=1000 L=2000 L=3000
5000A-6300A	L=1000 L=2000



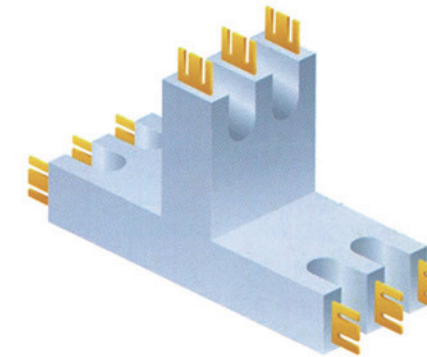
水平直角弯
Dihedral Elbow



垂直角弯
Flat Elbow

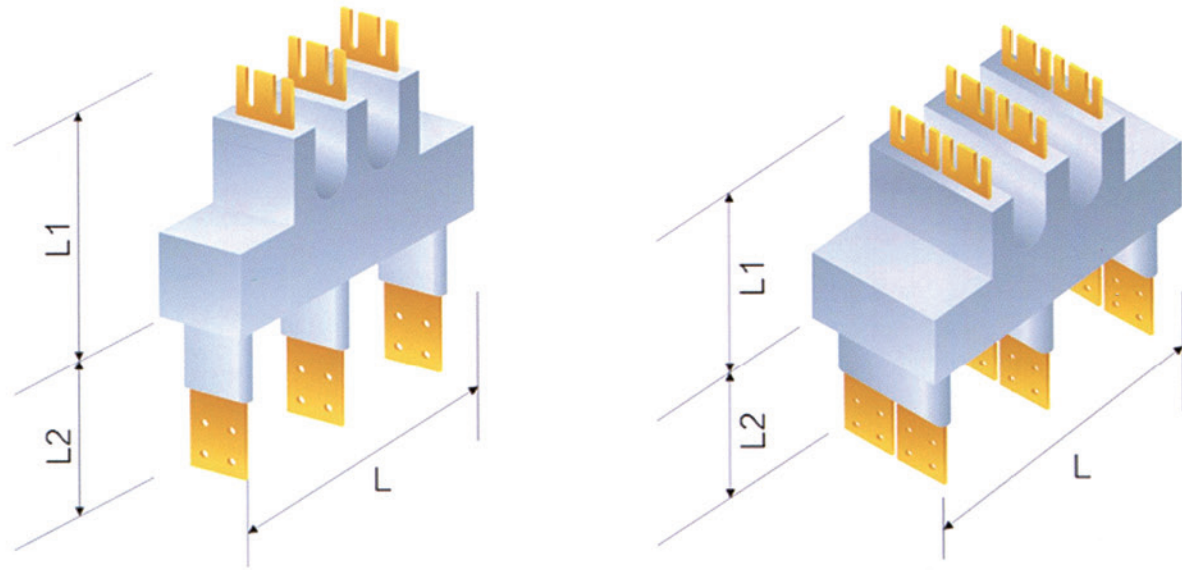


垂直T型弯
Flat T-element

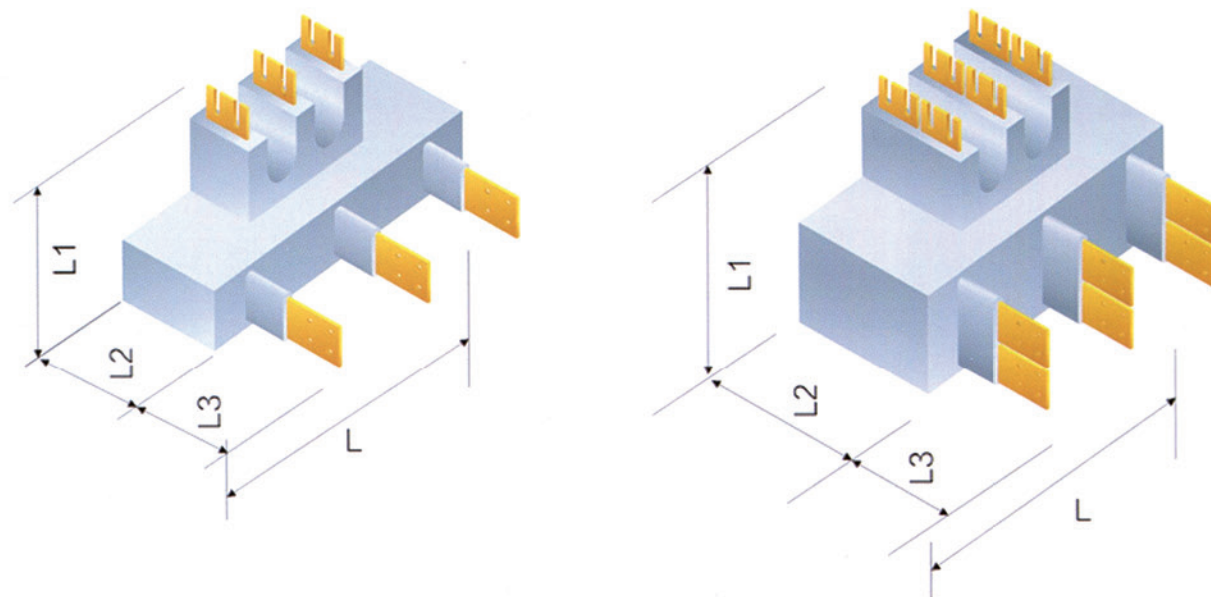


结构单元
Trunking Units

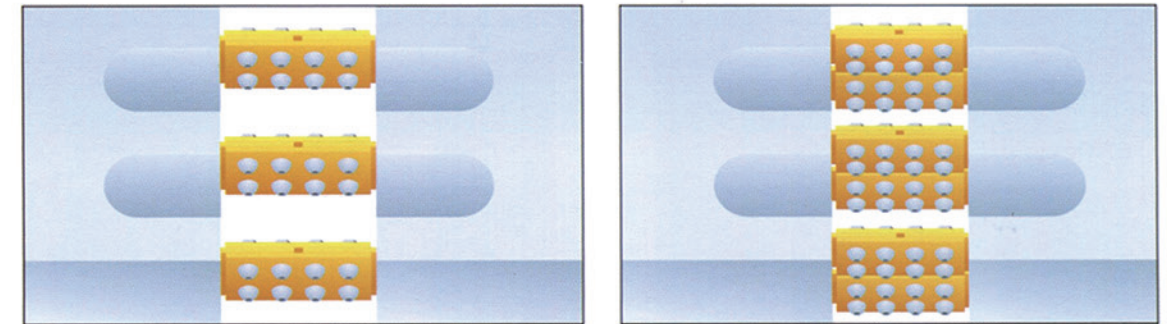
终端单元
Terminal Element



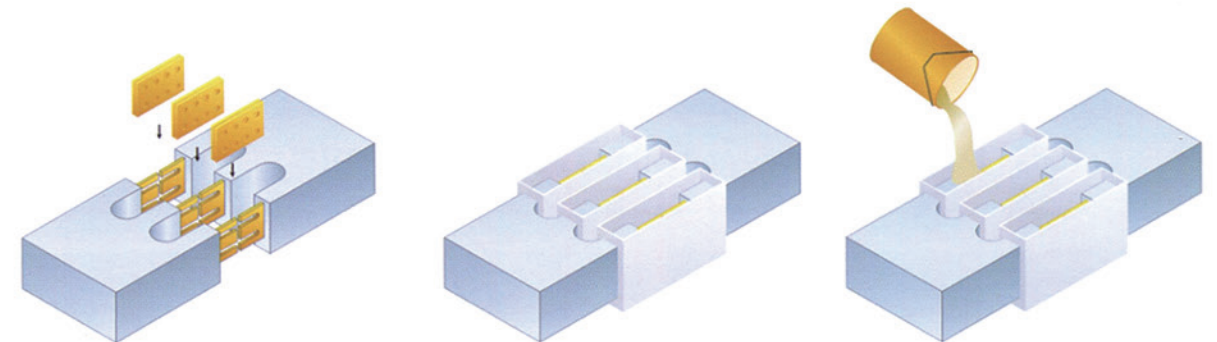
垂直弯带终端
Terminal with flat elbow



安装示例
Assembly Instructions



连接单元示意图 Schematic Diagram Of Unibloc



将两段待连接母线调整至同一水平线，连接排及紧固螺栓，用扭力扳手旋紧至设定值

Adjust the connecting busbar to the horizontal line. Fix the UNIBLOC and the setscrew. Verified the nut torque between the default value using a torque wrench.

将连接单元浇注模具安装于母线连接位置

Fit mould over junction.

将经真空搅拌均匀的绝缘材倒入模具中

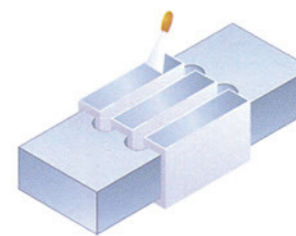
Pour the mixed thigh insulation material immediately into the casting mould.

注：

- 1、母线槽连接后浇注前，应进行绝缘电阻检测，通常情况下单段母线的绝缘值应大于1000兆欧。
- 2、非立即浇注的，必须对浇注部位用保护膜进行包裹，不允许有灰尘或杂物进入，浇注前应仔细检查并清理干净。
- 3、现场浇注时，环境条件须满足：温度5℃以上，湿度85%以下。若无法达到此环境条件的，须请业主方配合改善，否则将可能影响整条母线的性能质量。

Tips:

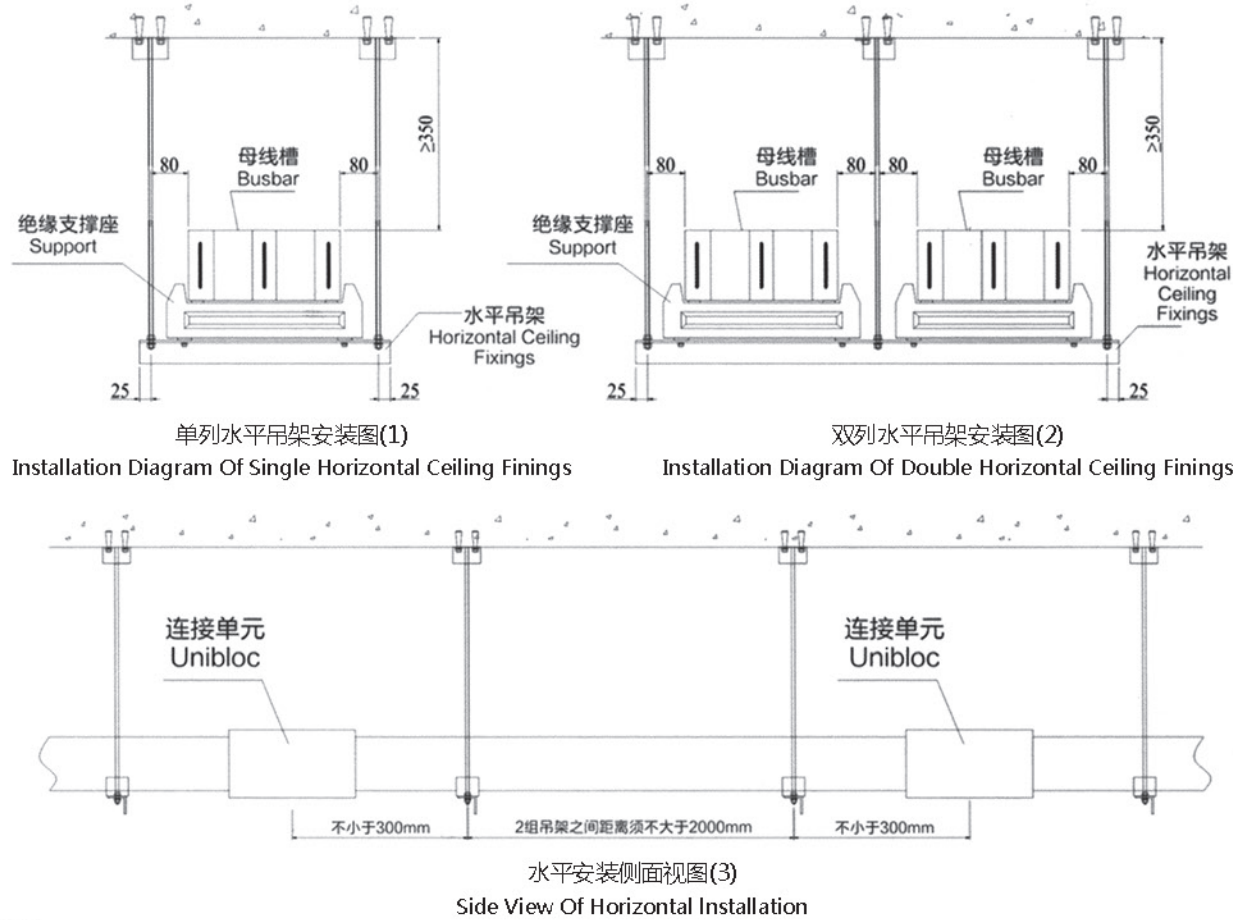
1. The insulation resistance testing should be carried out before casting and after connecting, usually the insulation value of one set busway should be more than 1000 MΩ.
2. Non-immediate casting, casting parts must be coated with a protective film, does not allow dust or debris to enter. Should be carefully examined before pouring and clean up.
3. Casting site, the environmental conditions to be met: the temperature above 5 °C, humidity below 85%. If you can not achieve this environmental conditions, shall ask the owner with the improvement, otherwise it will affect the quality of the performance of the whole busway.



浇注完成固化后，拆除磨具，表面稍做平整处理

Remove the mould after the material has completely cured, then flat it.

安装规范
Installation Criterion



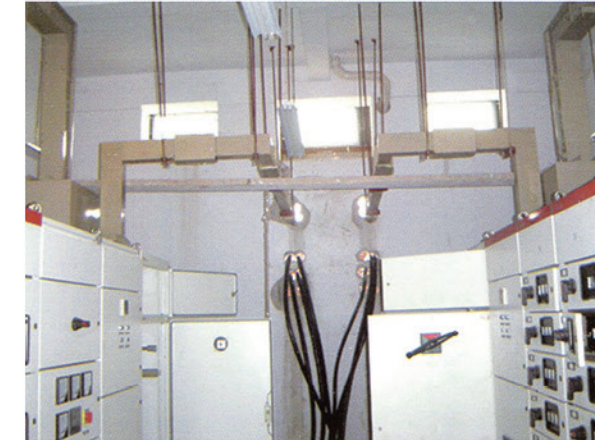
说明：

- 1、与母线槽本体直接接触的支(吊)架上，都必须安装绝缘支撑座，并用螺栓固定；
- 2、水平安装时，每段母线需安装两组支(吊)架，且两组支(吊)架之间的距离不大于2000mm，支(吊)架与母线连接单元之间的距离不小于300mm，特殊情况除外，但至少保证每段母线有一组支(吊)架；
- 3、母线槽所需标准安装空间如图(1)(2)所示，母线槽上方需增加安全空间100mm+浇注空间250mm=350mm的净安装空间；
- 4、垂直安装时，母线穿墙孔壁(或楼板孔壁)的间距不小于100mm，且支架的间距不大于3000mm，当垂直直线高度超过40m时，应设置弹簧支撑器；

Instructions:

1. The supporting block must be installed on the suspension brackets (hangers) which contact with the busbar directly, and fixed using bolt;
2. Each busbar has two brackets (hangers) installed in while horizontal installation, and the distance between two brackets(hangers)isnot more than 2000mm. The distance between brackets(hangers)and unibloc is not less than 300mm. Except special conditions, but one set of bracket (hanger) must be installed in each busbar at least;
3. The standard installation space is required as shown in figure(1)&(2), the net installation space above the busbar is calculated as 100mm(safety space)+250mm(casting space)=350mm;
4. The space between the busbar and the wall bole (or floor hole)is not less than 100mm, the space between each two brackets is required not more than 3000mm. And shall install the diagram spring hanger when the vertical distance over 40m.

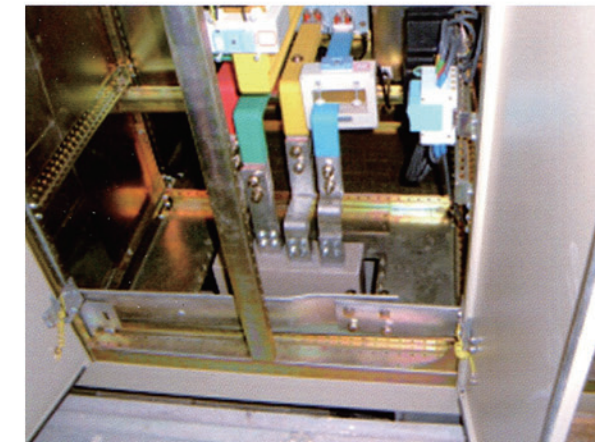
应用实例
Application Example



JDR与开关柜连接(上进)
Connection with Switchboard(above)



JDR与开关柜连接(下进)
Connection with Switchboard(below)



JDR与变压器连接
Connection with Transformer



应用实例
Application Example



JDR在码头上的应用
Application on the dock



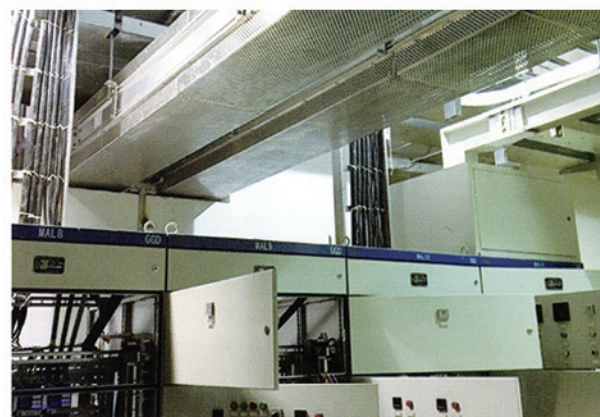
JDR在廊道内的应用
Application in the gallery



JDR在地沟内的应用
Application in the trench



架空敷设的
JDR Laid overhead



应用实例
Application Example



倾斜安装
Slanting installation



垂直安装
Vertical installation



多层安装
Multilayer installation



穿墙及并线
Through walls and parallel wires



带防护罩的
JDR protective covers

部分项目业绩
Project Performasnce

造船及海洋工程	上海外高桥造船厂
	中船长兴造船基地
	中海长兴造船基地
	中船龙穴造船基地
	中远船务工程集团有限公司
	河北山海关船厂
	南通中远川崎船舶工程有限公司
	友联船厂(蛇口)有限公司
	大连船舶重工集团
金融信息	招商局重工(江苏)有限公司
	中国银行(上海)信息中心
	上海期货交易所
	大连期货交易所
	深圳证券交易所
	河北地税局票据中心
医院	复旦大学附属中山医院
	北京301医院
	北京顺义医院
电信	河北省移动
	辽宁阜新移动
	太原移动
	唐山移动
	鞍山移动
轨道交通	南翔大功率机车检修基地
	轨道交通上海九亭基地

石油石化	扬子石化
	湖北兴瑞化工
	齐鲁石化
	常熟日油化工
	海洋石油工程股份有限公司
钢厂	哈尔滨石化
	马鞍山钢铁股份有限公司
水电	济南钢铁股份有限公司
	安徽琅琊山抽水蓄能电站
	河北张河湾抽水蓄能电站
	广东省惠州抽水蓄能电站
	云南普洱市勐野江水电站
	国网映秀湾渔子溪水电站
	贵州金元集团毛家河水电站
	贵州黔源普定水电站
	铜仁漾头水电站
	华能木座水电站
塔吉克斯坦格拉夫纳亚水电站	
火电	安徽绩溪抽水蓄能电站
	大唐双鸭山热电
	浙能舟山六横电厂
	舒兰市宏源煤矸石热电
	江阴市生活垃圾焚烧发电
	浙能台州发电厂
深圳华电坪山分布式能源	
.....	

注释
Definition

注1: 外壳防护等级定义 IP definition of protection classes

第一位表征数字表示: 防尘等级 First digit: Protection level for direct touch and foreign bodies

第一位表征数字	表征符号	简述	含义	防护等级 Definition
4	IP4X	防止大于1mm的固体异物	防止大于1mm的固体异物	Protection against solid foreign bodies (i.e. objects larger than 1mm for examlie, wire).
5	IP5X	防尘	不能完全防止尘埃进入壳体	Protection against dust accumulation, which could impair proper functioning.
6	IP6X	尘密	无尘埃进入	Protection against dust inflow.

第二位表征数字表示: 防水等级 Second digit: Protection level for water

第二位表征数字	表征符号	简述	含义	防护等级 Definition
0	IPX0	无防护	无专门防护	No protection.
1	IPX1	防滴	垂直滴水应无有害影响	Protection against verticassly-falling water drops(for examlie, condensation).
2	IPX2	15°挤滴	电器倾斜15°, 垂直滴水应无有害影响	Protection against transversty-falling water drops(angle less than 15°)
3	IPX3	防淋水	与电器垂直线成60°, 范围内的淋水应无有害影响	Protection against spraying water(angle less than 60°)
4	IPX4	防溅水	任何方向的溅水无有害影响	Protection against water which is spraying (against the device from all directions).
5	IPX5	防喷水	承受任何方向由喷嘴喷出的水应无有害影响	Protection against hose water from all directions.
6	IPX6	防海浪	承受猛烈的海浪冲击或强烈喷水时, 应无有害影响	Protection against over flooding. Temporary over flooding should not cause any damage
7	IPX7	防浸水影响	在浸水一定时间内, 电器进水量不致达到有害影响	Protection against over flooding. Temporary over flooding should not cause any damage.
8	IPX8	防潜水影响	长时间潜水, 水应不能进入壳内	Protection against sub-mergence. No damage water should penetrate.

注2: 污染等级定义 Definition of pollution degree

污染等级 Definition	含义	防护等级 Definition
1	无污染、或仅有干燥的非导电性污染	No pollution or only dry, nonconductive pollution occurs. The pollution has no effect.
2	只有非导电性污染。但是, 也应考虑到偶然由于凝露造成的暂时的导电性	Normally only nonconductive pollution occurs. Temporary conductivity caused by condensation is to be expected.
3	存在导电性污染, 或者由于凝露使干燥的非导电性污染变成导电性污染	Conductive pollution or dry nonconductive pollution that becomes conductive due to condensation occurs. To be found in industrial environment or construction sites(harsh environments).
4	造成持久性的导电性污染, 例如由于导电尘埃或雨水造成的污染	The pollution generates persistent conductivity caused by conductive dust, rain, or snow



地址: 镇江市扬中经济开发区扬中大道兴隆大桥南首
电话: 0511 88418040
传真: 0511 88416878
邮箱: SL9540@126.com
网址: www.cnshihlin.com

Add: South head of Xinglong bridge, Yangzhong Avenue,
Yangzhong Economic Development Zone, Zhenjiang City
Tel: 0511 88418040
Fax: 0511 88416878
E-mail: SL9540@126.com
Http: www.cnshihlin.com

如有改动, 恕不另行通知
Subject to change without prior notice